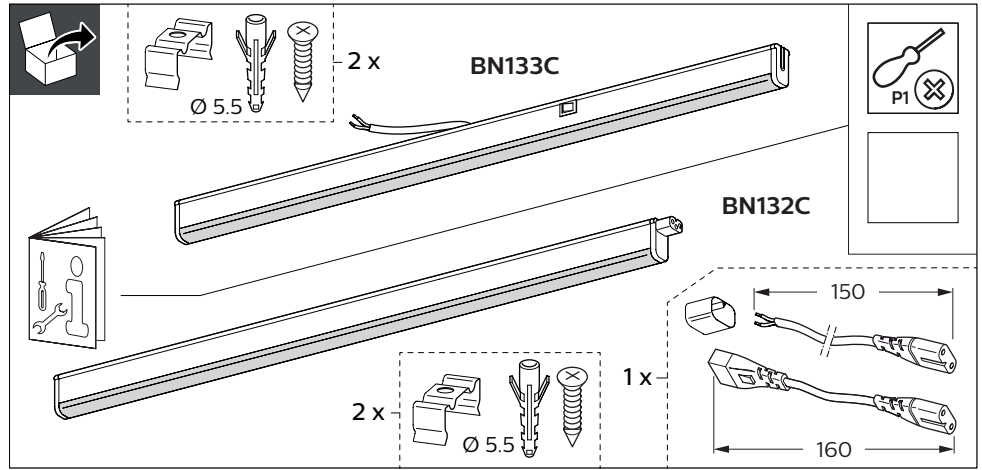


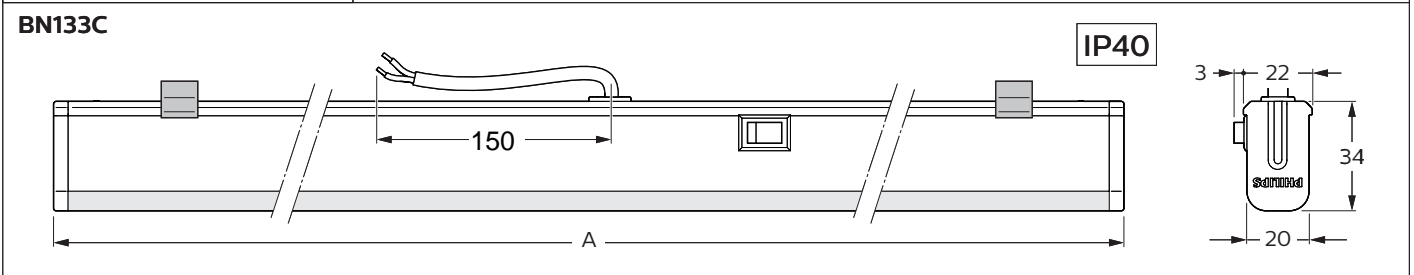
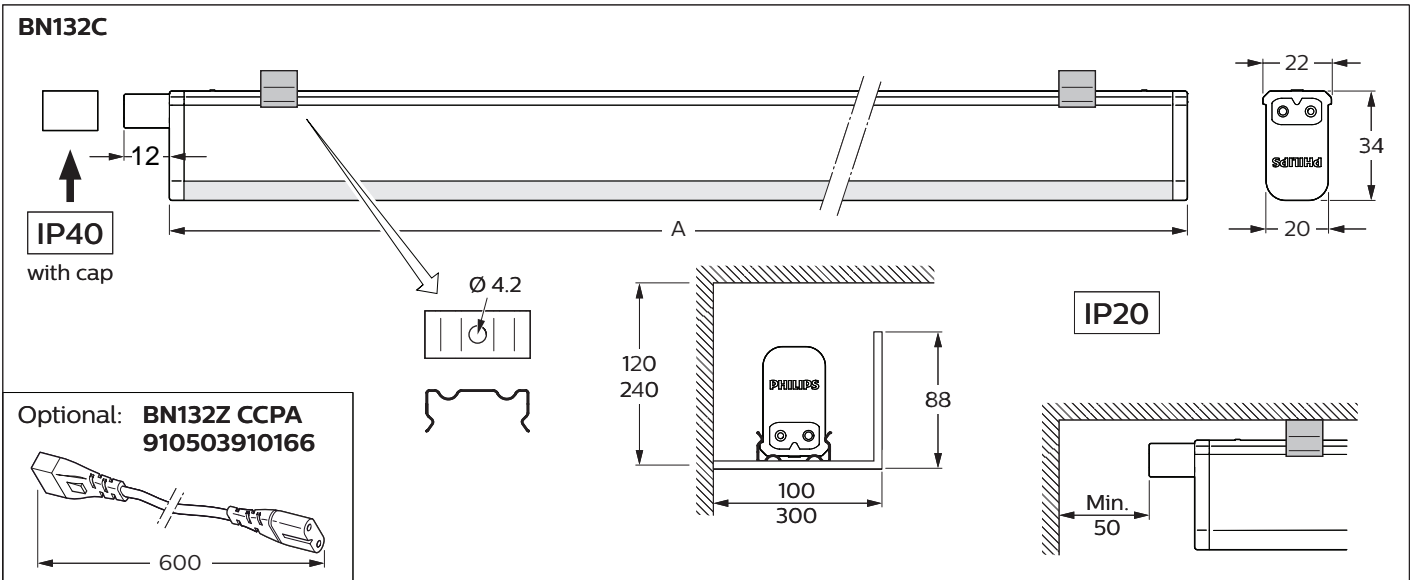
PHILIPS

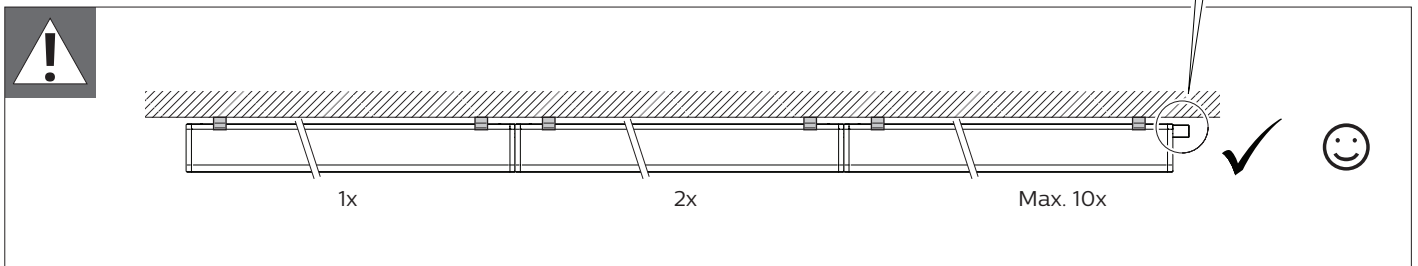
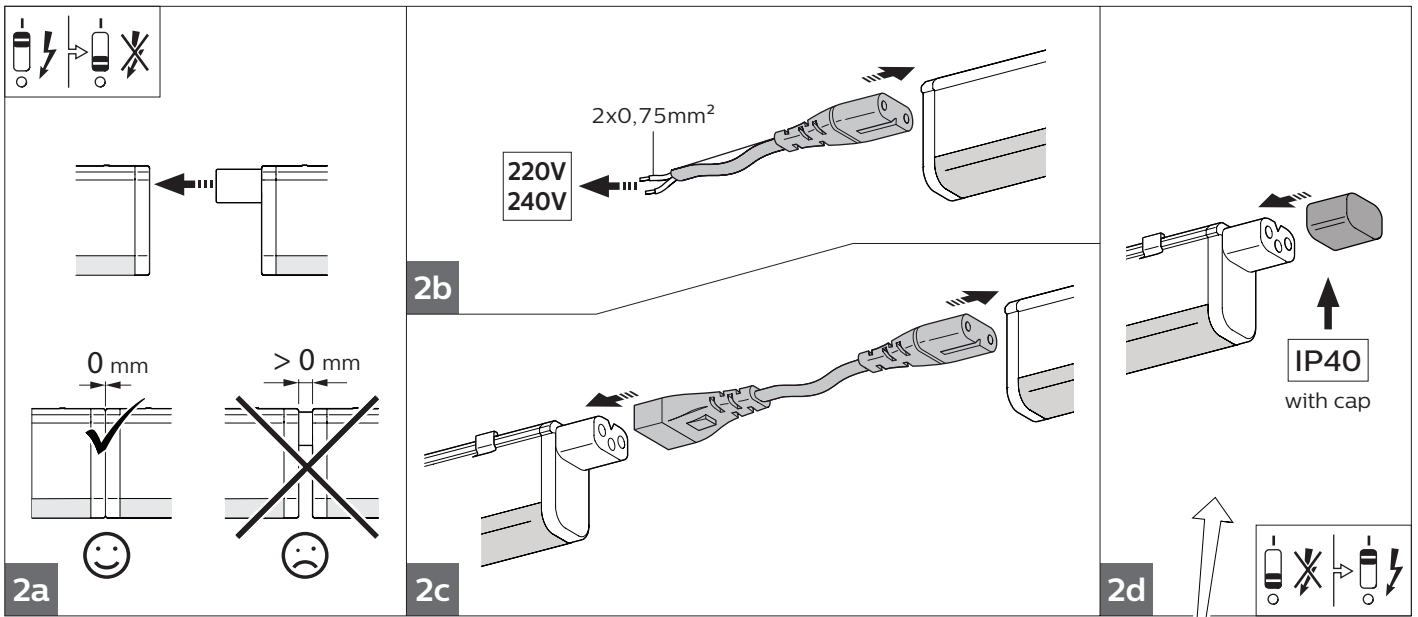
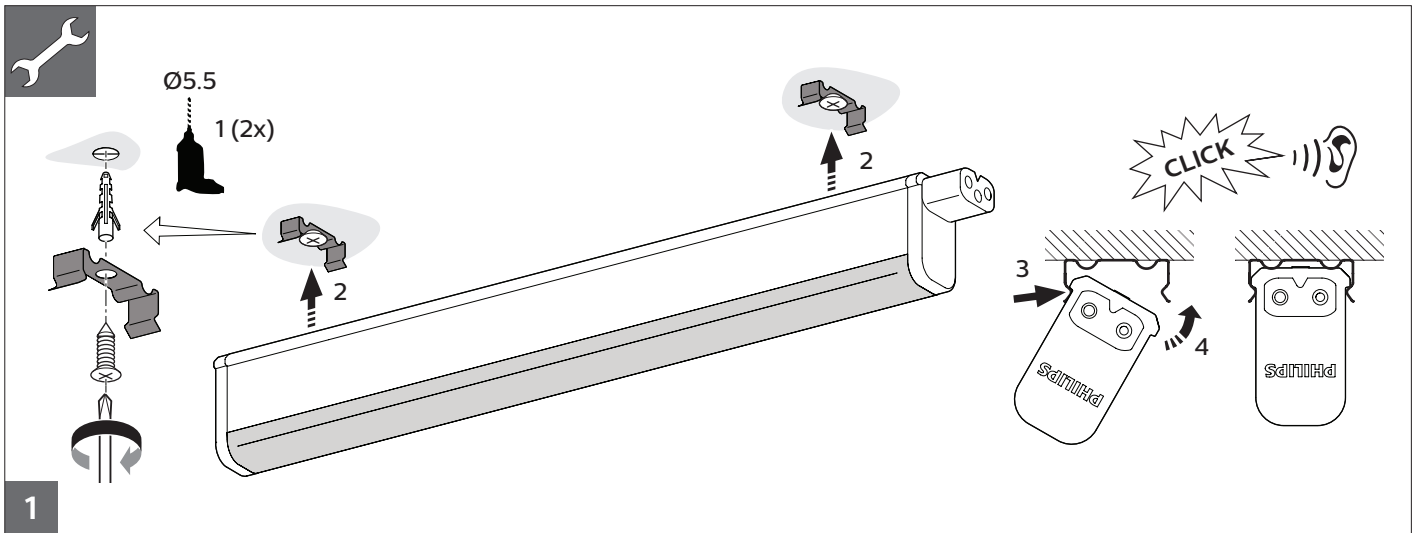
Pentura Mini LED

BN132C, BN133C

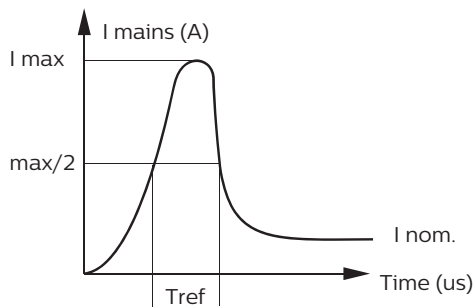


D	CCT	Dimensions in mm		kg
		P(W)	A	
BN132C LED12S/840 PSU L1200	4000	14.0	1184	0.25
BN132C LED12S/830 PSU L1200	3000			
BN132C LED9S/840 PSU L900	4000	10.0	884	0.21
BN132C LED9S/840 PSU L900	3000			
BN132C LED6S/840 PSU L600	4000	7.0	584	0.16
BN132C LED6S/840 PSU L600	3000			
BN132C LED3S/840 PSU L300	4000	4.0	324	0.12
BN132C LED3S/840 PSU L300	3000			
BN133C LED6S/840 PSU L600	• 4000	7.0	584	0.16
BN133C LED6S/830 PSU L600	• 3000			





Inrush current



Electrical characteristics	
Power(W)	7 14
Inom(mA)	34 65
I _{max} (A)	2.0 2.5
T _{ref} (μs)	32 39
MCB	Downlights Max.
B-10 A	112
B-16 A	180
C-10 A	196
C-16 A	189

The light source of this luminaire is not replaceable; when the light source reaches its end of life the whole luminaire shall be replaced the external flexible cable or cord of this luminaire cannot be replaced; if the cord is damaged , the luminaire shall be destroyed.