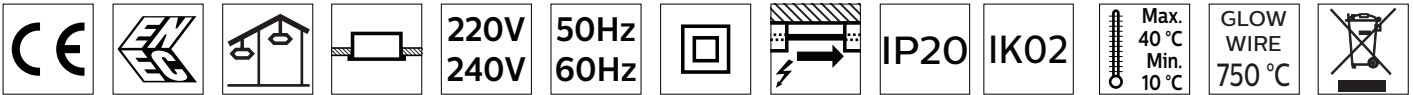
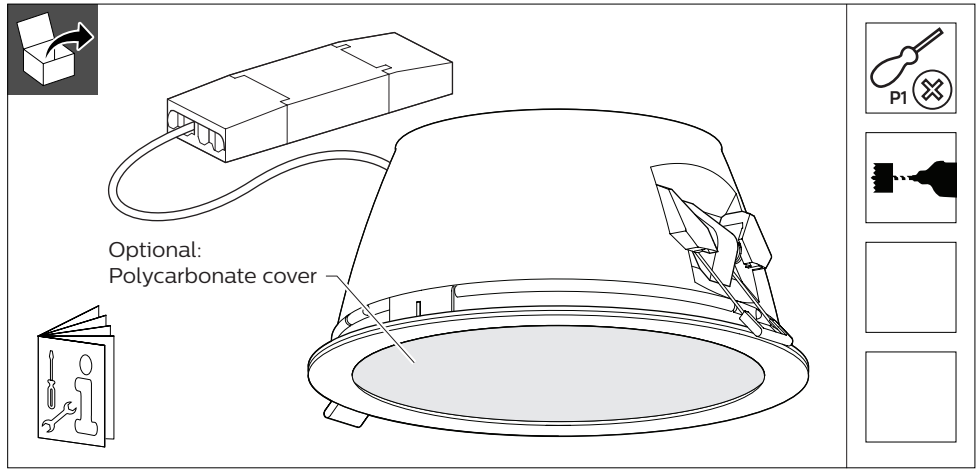


PHILIPS

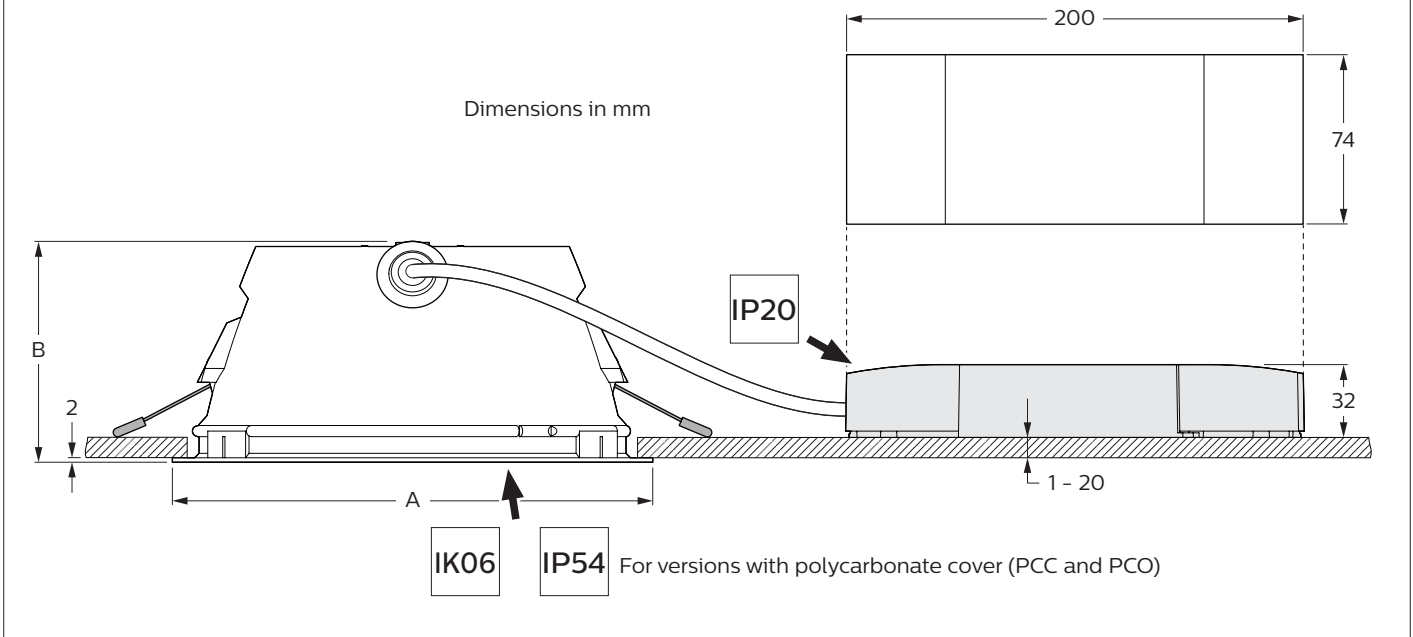
GreenSpace Downlight

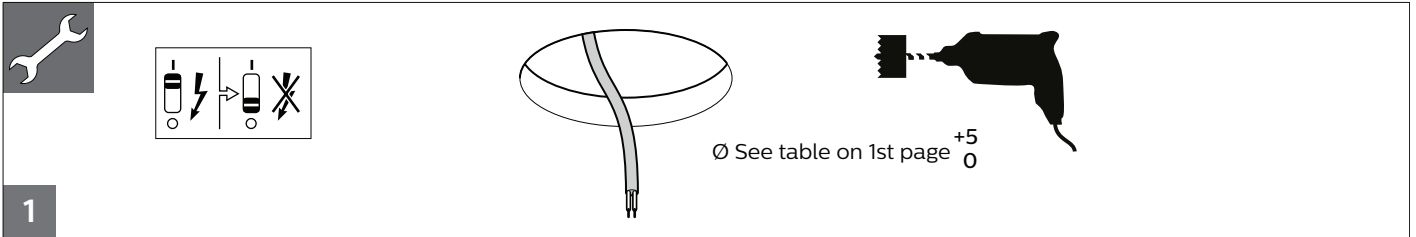
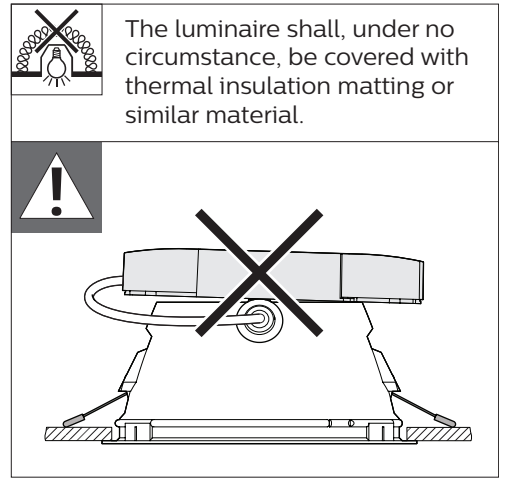
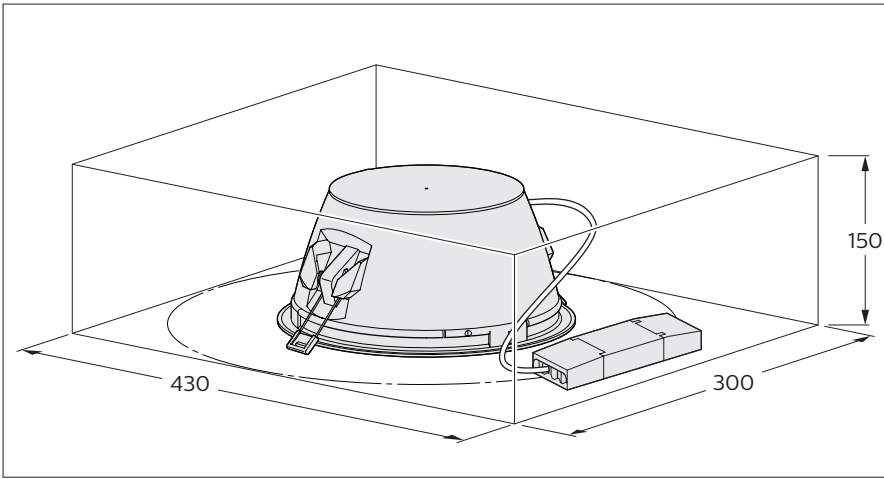
DN460B, DN461B, DN462B,
DN463B, DN470B, DN471B,
DN472B, DN473B



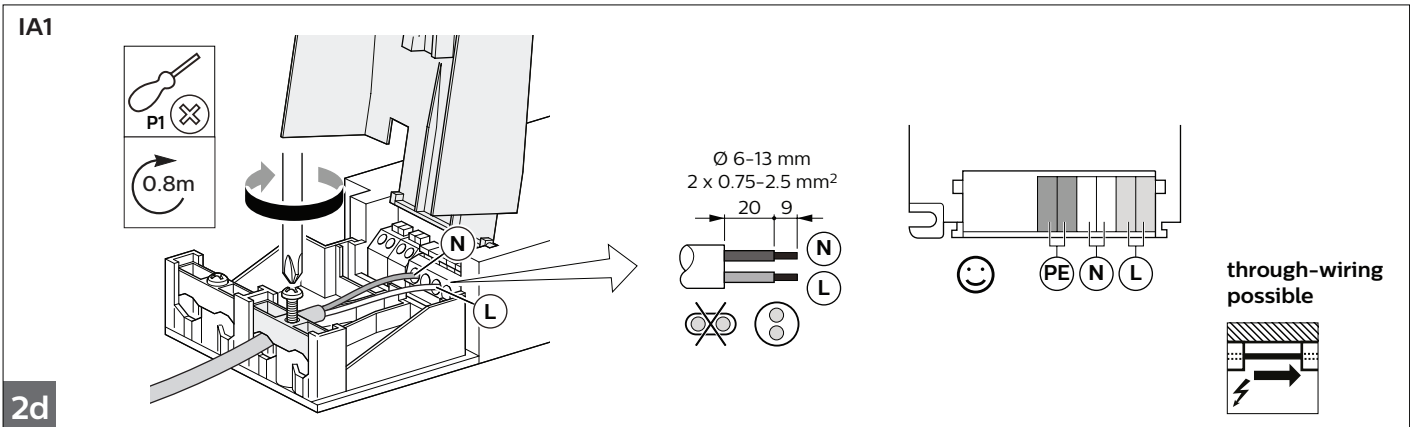
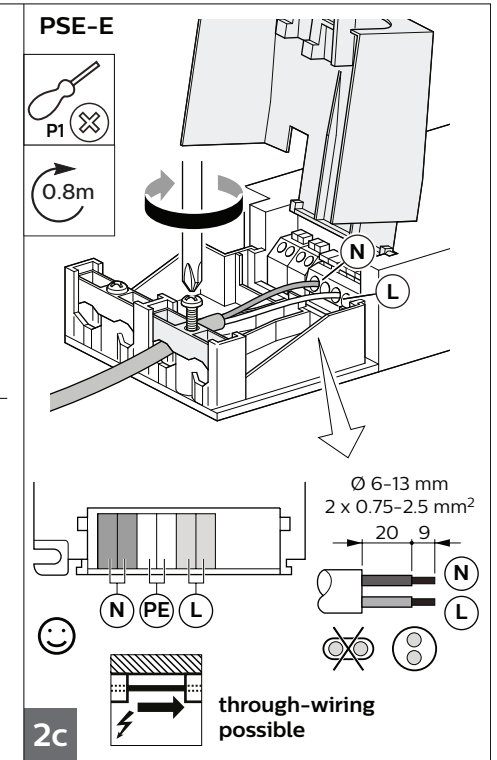
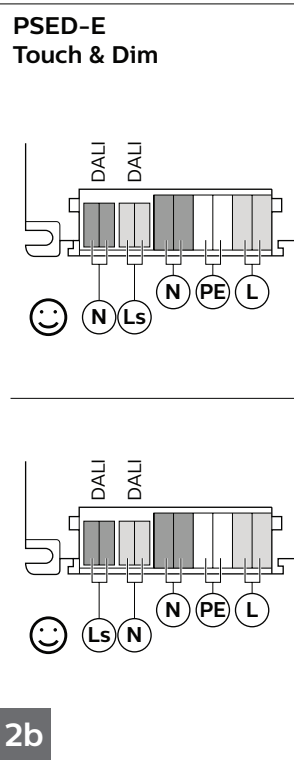
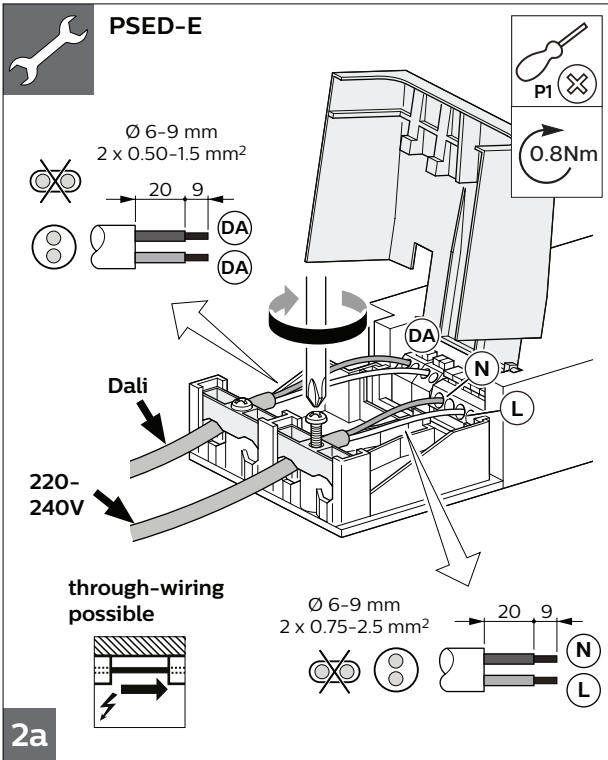
	Lumen (lm)	CCT (K)	Pmax. (W)	UGR	IP..	Max. °C Min. °C	A	B	Ø mm	kg
DN460B				22						
DN461B				19	20	10/40				
DN462B PCC	1100		11	22			166	77	150	0.555
DN463B PCC				19	54	-15/40				
DN470B PCO			12	27						
DN470B				22						
DN471B		830,		19	20	10/40				
DN472B PCC	2000	840	18.5	22						
DN473B PCC				19	54	-15/40				
DN472B PCO			21.5	27			216	94	200	0.825
DN470B				22						
DN471B				19	20	10/40				
DN472B PCC	3000		26	22						
DN473B PCC				19	54	-15/40				

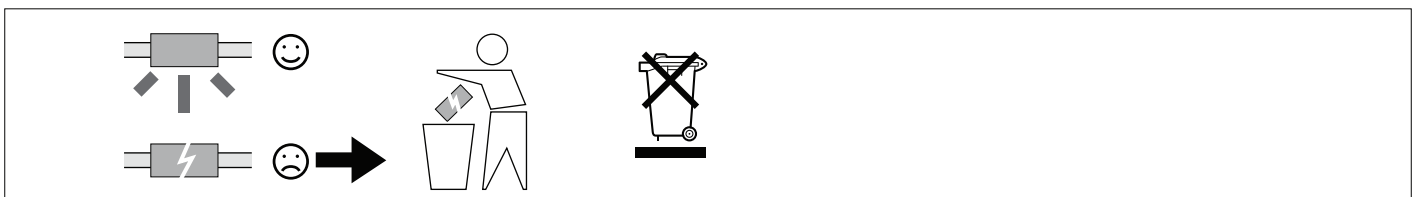
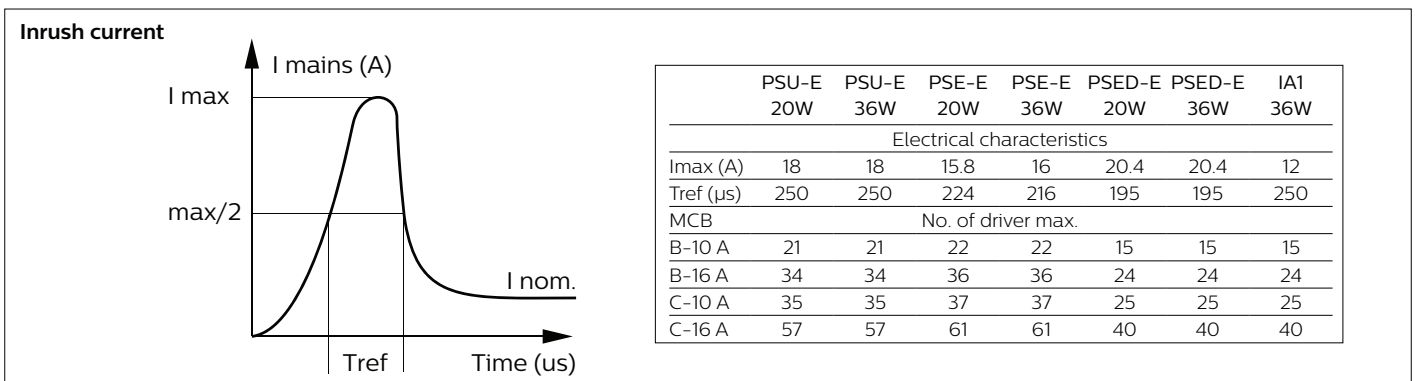
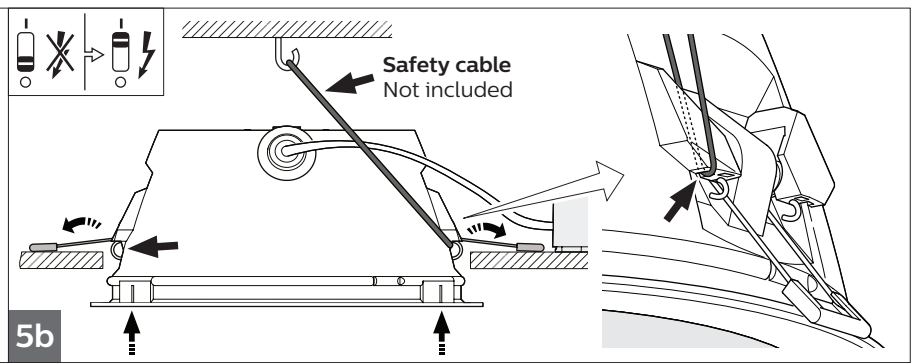
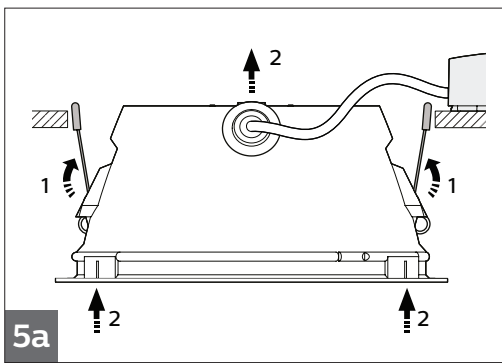
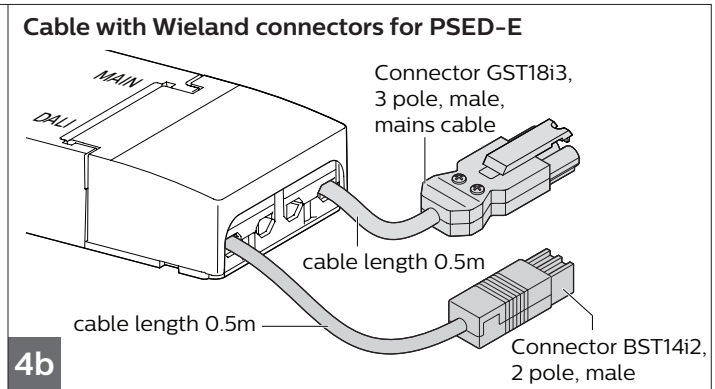
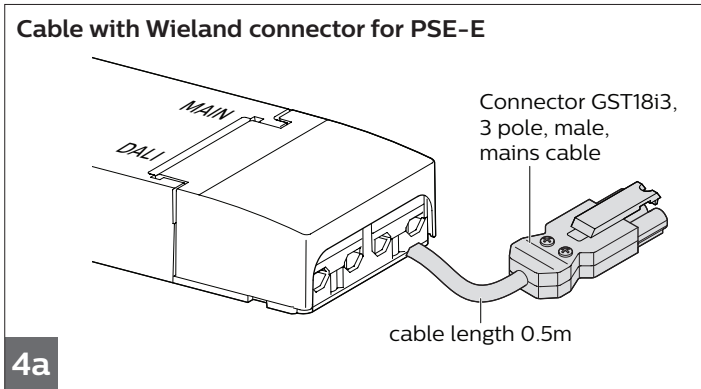
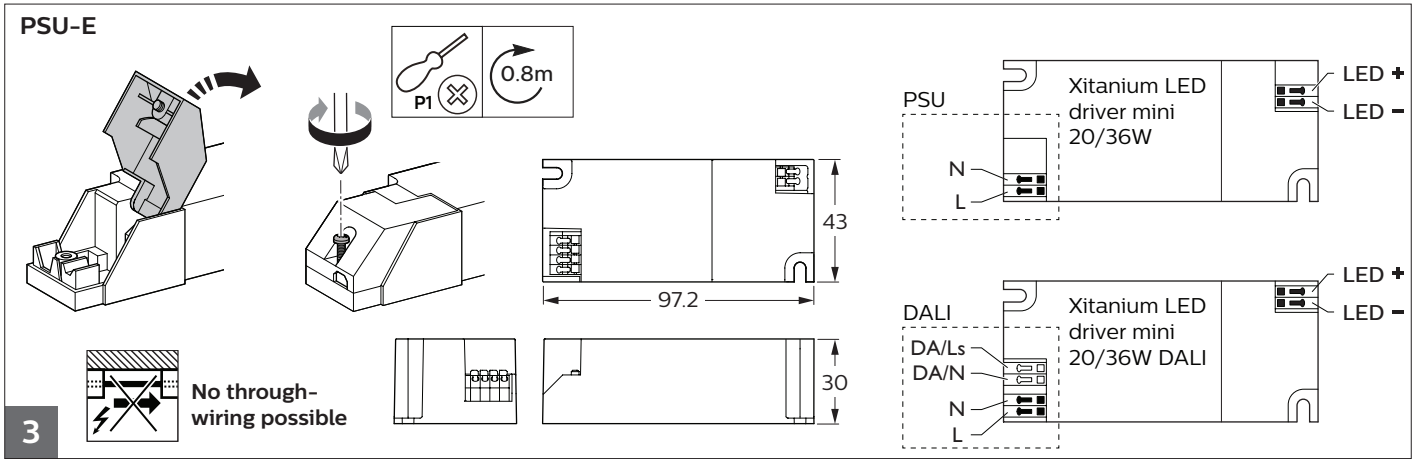
The housing of the luminaire has been reviewed and approved as an IP54 enclosure.





Specific PSE-E/PSED-E downlight versions available on request for use in central DC emergency system to meet standard EN60598-2-22





- The luminaire shall be installed by a qualified electrician and wired in accordance with the latest IEElectrical regulations or the national requirements.
- Only to be installed outside arms reach as recessed ceiling luminaire.
- "The light source of this luminaire is not replaceable; when the light source reaches its end of life the whole luminaire shall be replaced".





© 2019 Signify Holding.

All rights reserved. This document contains information relating to the product portfolio of Signify which information may be subject to change. No representation or warranty as to the accuracy or completeness of the information included herein is given and any liability for any action in reliance thereon is disclaimed. The information presented in this document is not intended as any commercial offer and does not form part of any quotation or contract. Philips and the Philips Shield Emblem are registered trademarks of Koninklijke Philips N.V.. All other trademarks are owned by Signify Holding or their respective owners.

Signify Holding.
The Netherlands