

**PHILIPS**

dynalite 

Electrical Accessories



# DDNP1501

Network Power Supply

Supplements DyNet network DC supply

The Philips Dynalite DDNP1501 is a 15 VDC 1.5 A regulated power supply designed to supplement the DyNet network DC supply.

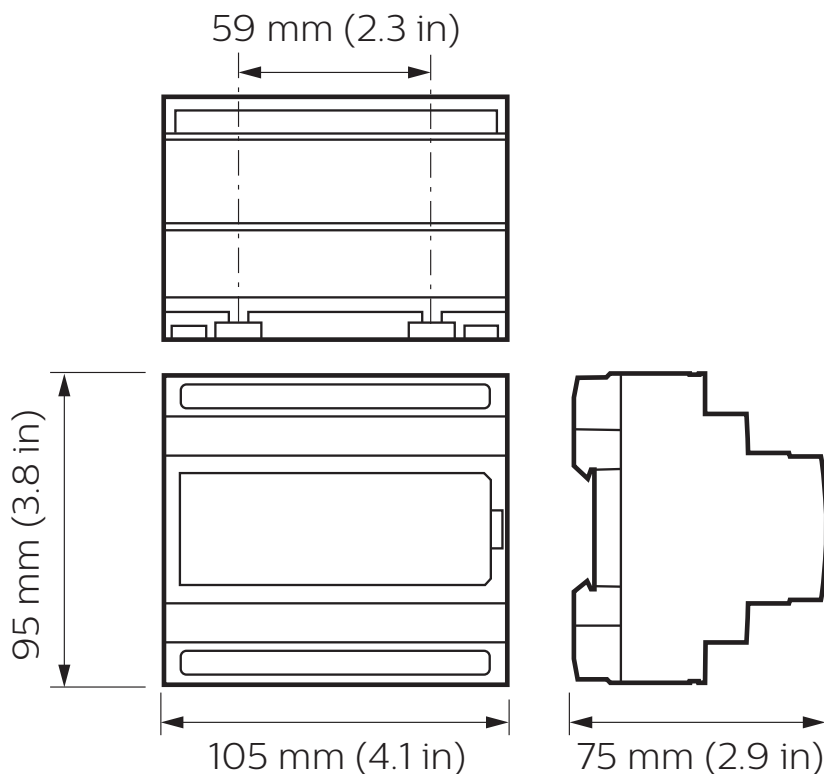
# DDNP1501

## Supplements DyNet network DC supply

- **No manual selection required** – The switch-mode design allows the device to be used with a range of input voltages.
- **Used when high-consumption devices are employed** – The DyNet network is self-powered via built-in DC supplies integrated within all mains-powered devices. Use of high-consumption devices, such as edge-lit touchscreens, can necessitate a requirement for additional power.
- **Flexible mounting solution** – A DIN-rail mountable device, with a circuit breaker profile designed to be installed into all types of distribution board enclosures, including those with cover apertures specifically designed for circuit breakers.

---

## Dimensions



# Specifications

Due to continuous improvements and innovations, specifications may change without notice.



**DDNP1501**  
Network Power Supply

## Electrical

Supply Type	Single-Phase
Supply Voltage	110–240 VAC
Supply Current	0.25 A
Output Voltage	15 VDC
Output Current	1.5 A (230 V supply) 1 A (110 V supply)
Protection	Self-resetting overload protection Short circuit protection Automatic thermal shutdown
IEC Overvoltage Category	III

## Control

Indicators	1 x power LED
------------	---------------

## Physical

Dimensions (H x W x D)	95 x 105 x 75 mm (3.8 x 4.1 x 2.9 in)
Packed Weight	0.2 kg (0.44 lb)
Construction	Polycarbonate DIN-rail enclosure (6 unit)
Supply Terminals	3 x screw terminal Line, Neutral, Earth
Supply Terminal Conductor Size	2.5 mm <sup>2</sup> (max)
Load Terminals	4 x screw terminal GND, GND, +15 V, +15 V
Load Terminal Conductor Size	2.5 mm <sup>2</sup> (max)

## Environment

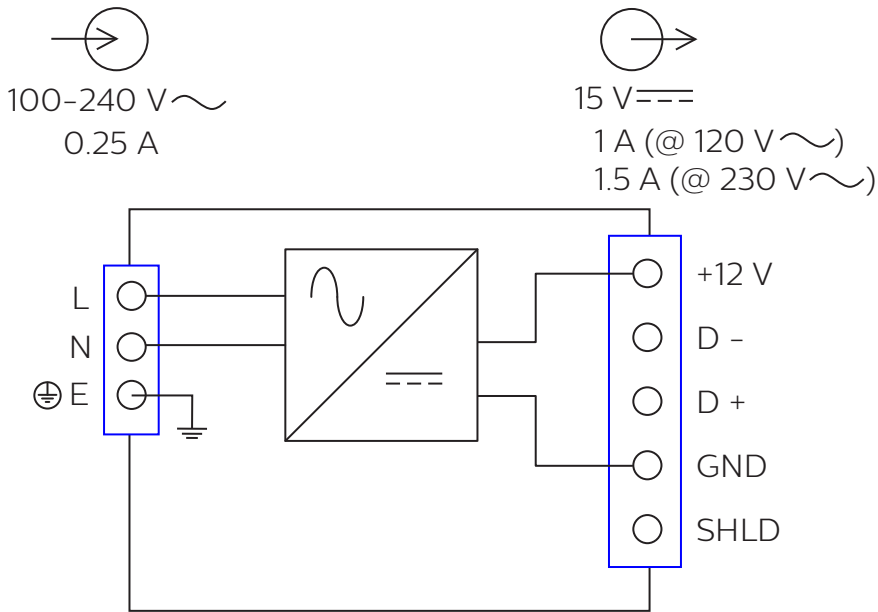
Operating Temperature	0° to 40°C ambient (32° to 104°F)
Storage/Transport Temperature	-25° to 60°C ambient (-13° to 140°F)
Humidity	0 to 90% non-condensing
IEC Pollution Degree	II

## Compliance

Certification	CE, RCM, RoHS
---------------	---------------



# Electrical



## Ordering Code

**Product**  
DDNP1501

**Philips 12NC**  
913703090309



© 2020 Signify Holding. All rights reserved. Specifications are subject to change without notice. No representation or warranty as to the accuracy or completeness of the information included herein is given and any liability for any action in reliance thereon is disclaimed. Philips and the Philips Shield Emblem are registered trademarks of Koninklijke Philips N.V. All other trademarks are owned by Signify Holding or their respective owners.